

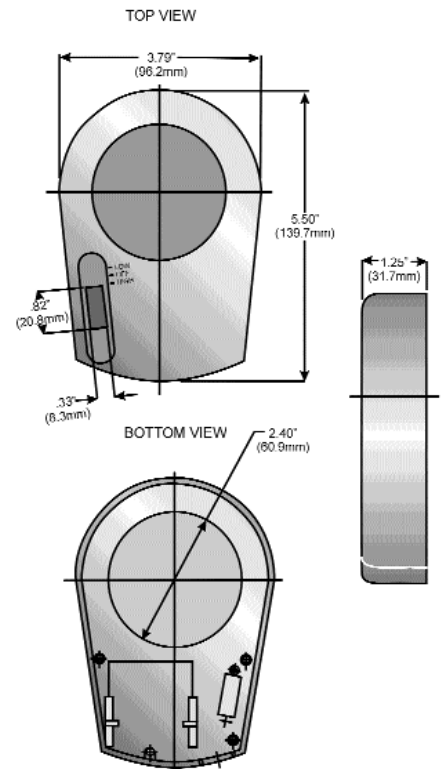
FL1000 CIRCULAR



The FL1000 is exclusive state-of-the-art Micro-Brite phosphors which produces a full spectrum of light that increases viewing ability and reduces glare. The solid state electronic ballast allows viewing of circuit boards specimens and other critical applications at full intensity or reduced lumen output. The unit has a flicker free illumination and high frequency operation which allows photography and viewing through CCD cameras. The FL1000 is constructed to be ESD safe and deluxe daylight bulbs are standard. Other lamp options are available for this unit, including ultra violet and yellow.

Features

- ESD safe & RoHS compliant
- Hi-frequency ballast
- Flicker free
- Energy efficient
- Fits lens up to 2.35"
- MIL STD 2000A Certified
- Bulb replacement easy
- UV & Yellow bulb options
- Made in the USA



Note: plug in ballast dimensions: 1.5" x 2.6" x 2.2"
(T x H x W)

