

# IL LINEAR LIGHTS

The Industrial Linears have been designed for uses in harsh environments where rugged enclosures are required to withstand demands of certain applications. With a flicker-free illumination these applications, which include machine vision, packaging, floor/processing, and industrial inspections, offer exceptional options. Two fluorescent lamps provide a high frequency (25 kHz) light. The unit comes standard with 5100K deluxe daylight lamps, but can be fitted with different colors or black light blue (UV) lamps as well.



These units are low profile with only 1.94" (49.3mm) high and are available in 8" (twin 4 watt), 11" (twin 6 watt), 14" (twin 8 watt), 23" (twin 13 watt) and 40" (twin 26 or 35 watt in the in-line ballast only) lengths to fit a wide range of configurations. The housing consists of an aluminum frame with a diffuse window.

For the dimensions of the Industrial Linear [Click here.](#)

## Features

- Low profile design
- Over 7000 hours of lamp life
- High frequency, flicker-free illumination
- A range of cover material and lamp options
- Easy mounting
- Rugged housing

Specifications	ILT04	ILT06	ILT08	ILT13	ILT26	ILT35
Input power:	8 watts	12 watts	16 watts	26 watts	52 watts	70 watts
Input Voltage:	120 VAC or 220 VAC					
Input Frequency:	50/60Hz					
Operating Frequency:	25kHz					
Operating Temp:	0°C to 40°C (32°F to 104°F)					
Humidity Range:	0% to 80%; non-condensing					



# IL REPLACEMENT PARTS

## Replacement Bulbs

ILT04	ILT06	ILT08	ILT13	ILT26	ILT35	Bulb Color
13231	13232	13233	13234	--	--	Cool White, 4200K
13271	13272	13273	13274	13270	13275	Deluxe Daylight, 5100K
13254	13256	13258	13260	13250	13252	Black Light Blue (UV), 365nm
13214	13216	13218	13220	--	--	Blue, 450nm
13224	13226	13228	13222	--	--	Green, 544nm
13294	13296	13298	13300	--	--	Red, 658nm
13304	13306	13308	13313	--	--	Yellow, 585nm

## Replacement Covers

ILT04	ILT06	ILT08	ILT13	ILT26	ILT35	Window Option
31750740	31750760	31750780	31750790	Consult KSE for Part Number		Diffuse
31750745	31750765	31750785	31750795	Consult KSE for Part Number		UV & Clear
31750748	31750768	31750788	31750798	Consult KSE for Part Number		50/50 Backlight

## Polarizers (includes clear window w/ kit)

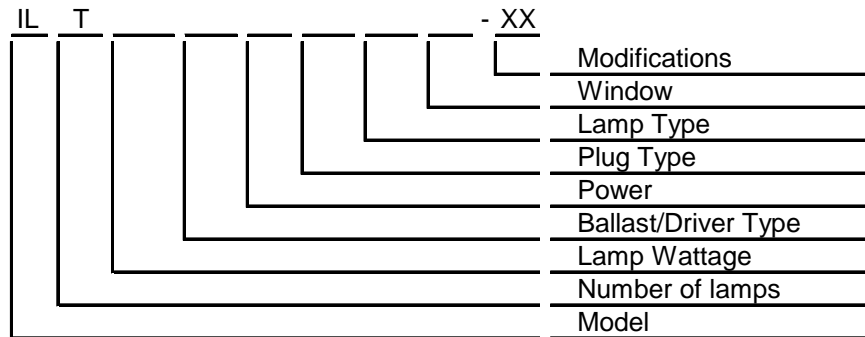
ILT04	ILT06	ILT08	ILT13	ILT26	ILT35
31750749	31750769	31750789	31750799	31750904	

## Ballast

Part #	Description
12002036	Plug-in, 25kHz, 110 VAC (for all IL Linears)
12002500	In-line, 25kHz, 110 VAC (for all IL Linears)
12002501	In-line, 25kHz, 220 VAC (for all IL Linears)



# INDUSTRIAL LINEAR PART NUMBER MATRIX



Model:	IL	Industrial Linear		
Number of lamps:	T	Twin Lamps (2x T5 lamps)		
Lamp Wattage:	04	4 Watt	06	6 Watt
	08	8 Watt	13	13 Watt
			26	26 Watt
			35	35 Watt
Ballast/Driver:	P	Plug-in, 25kHz (power option 1 only)		
	D	Direct/In-Line, 25kHz (Power 1 or 2 only)		
	S	In-Line Ballast 85 kHz (Power Option 3)		
Plug/Cord Set:	1	110 VAC; 60Hz		
	2	220 VAC; 50Hz		
	3	85kHz w/ fixed intensity (90-260 VAC)		
		(consult KSE "S" options with 26 or 35 options)		
Plug/Cord Set:	B	Euro/Shuko	C	Australia
	D	United Kingdom	E	Denmark
	F	France/Belgium	G	India
	H	Israel	I	Italy
	K	North American	L	Switzerland
	S	Special	X	No Plug
Lamp Type:	DD	Deluxe Dayligh, 5100K (std)	GR	Green (544nm)
	CW	Cool White, 4200K	BL	Blue (450nm)
	RD	Red (658nm)	BB	UV (365nm)
	YL	Yellow (585nm)		(BB requires Window option Q)
Window:	C	Clear (high output)		
	D	Diffuse (standard)		
	Q	UV Window (reqd for UV appls, lamp type BB)		
	T	50/50 (Blacklight applications)		
Modifications:		To be Determined		

