

# MODEL 10XI CIRCULAR

The Model 10XI is an industrial grade fluorescent lighting system which has been designed for a wide range of applications, including imaging, process control and inspection for machine vision and other industrial illumination requirements. The unit is constructed of rugged, black anodized aluminum housing and powered by a high frequency (25 kHz) driver, which provides a 360° of flicker-free illumination. The model comes standard with a deluxe daylight (5100K) bulb, which the users can expect 7,000 hours of maintenance, uniform, shadow-free illumination. Other lamp options are available for this unit, including black light blue (UV) and other wavelength specific colors. In addition, polarized filters can also be used to minimize reflections for those applications that require an illumination of reflective material.



The model comes standard with a deluxe daylight (5100K) bulb, which the users can expect 7,000 hours of maintenance, uniform, shadow-free illumination. Other lamp options are available for this unit, including black light blue (UV) and other wavelength specific colors. In addition, polarized filters can also be used to minimize reflections for those applications that require an illumination of reflective material.

To figure out the Part Number of the Model 10XI [Click here](#).  
 For the dimensions of the Model 10XI [Click here](#).

## Features

- Rugged, black anodized aluminum housing
- High frequency (25 kHz), flicker-free illumination
- 360° of uniform, shadow-free output
- Over 7,000 hours of lamp life
- Custom configurations available

Specifications	
Housing Range:	0% to 80%; non-condensing
Input Power:	14 watts
Lamp Output Power:	13 watts
Operating Frequency:	25 kHz
Input Frequency:	50Hz/60Hz
Operating Temp:	0°C to 40°C (32°F to 104°F)

Replacement Bulbs	
973-510	Deluxe Daylight, 5100K
973-550	White HC, 5500K
973-320	Warm White, 3200K
973-420	Cool White, 4200K
973-365	Black Light Blue (UV), 365nm
973-450	Blue, 450nm
973-544	Green, 544nm
973-585	Yellow, 585nm
973-658	Red, 658nm

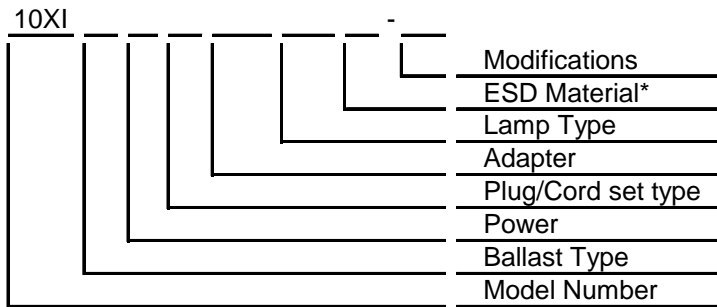


# MODEL 10XI ACCESSORIES

Part Number	Description
97321100	Diffuser 50/50 Cover
97321101	Polarizer Cover
97321102	Clear Chip Shield
12002136	Ballast, 25kHz, 110VAC, plug-in
12002502	Ballast, 25kHz, 110VAC, in-line
12002503	Ballast, 25kHz, 220VAC, in-line



# MODEL 10XI PART NUMBER MATRIX



Model Number:	10XI	Model 10XI	
Ballast Type:	P	Plug-In 25kHz (110/120 VAC only)	
	D	In-Line, 25kHz (110/120 or 220/240 VAC)	
Power:	1	110/120 VAC; 60HZ	
	2	220/240 VAC; 50HZ (CE marked)	
Plug/Cord Sets:	B	Euro/Shuko*	I Italy*
	C	Australia*	K North America*
	D	United Kingdom*	K North America Plug-in Ballast
	E	Denmark	L Switzerland*
	F	France/Belgium	R Russia
	G	India	S Special (NEMA 6-20P)
	H	Israel*	X No Plug
	Z	North America (NEMA 6-15P)	
Adapter: (Optional, 2 series only)	200	No Adapter (Standard)	224 #224
	206	#206	229 #229, 3" long #206
	208	#208	230 #230, 3: long #208
	211	#211	231 #231
	212	#212	231 #232
	213	#213	233 #233, 3: long #213
	214	#214	234 #234
	215	#215, grommet	235 #235
	216	#216	236 #236
	217	#217	237 #237
	218	#218	238 #238
	219	#219	239 #239
	221	#221	240 #240
Lamp Type: Note: All Lamp Types are 973-#'s	32	Warm White, 3200K	BL Blue 450nm
	42	Cool White, 4200K	GN Green, 544nm
	51	White, 5100K	YL Yellow, 585nm
	55	White, 5500K	RD Red, 658nm
	BB	Black Light Blue, 365nm	

\* ESD Material (Standard leave blank)



## Microscope Adapter Cross Reference

#211 **Aus Jena** - Citival 2  
Stereoscope OBS 330  
#211 **Clearview**  
#221 **Denerica**  
#232 **DVT**  
#224 **Fisher** Stereomaster II  
#208 **Fisher** Sterezoom  
#108 **Leica** GZ4 (Male/female  
thread - 1010 comparable)  
#206 **Leica** GZ6  
#231 **Leica** GZ6 (threaded version  
w/no objective)

#206 **Leica** MZ8  
#206 **Leica** MZ12.5  
#240 **Leica** S4E, S6E (male thrd, 1")  
#206 **Leica** S4E  
#212 **Meiji** EMF, EMT 1, EMT 2  
#218 **Meiji** EMT 3  
#219 **Meiji** EMX  
#213 **Meiji** EMZ  
#212 **Mitutoyo** 377, Scoope #12  
#123 **Mitutoyo** TM510 2x Mag  
#213 **Mitutoyo** Stereo  
#211 **Nikon** SMZ10  
#211 **Nikon** SMZ10  
#206 **Nikon** SMZ-U, 10A, 660, 645,  
880  
#237 **Nikon** SMZ660, SMZ645, male  
thrd, 1" long  
#238 **Nikon** SMZ660, SMZ645, male  
thrd 3" long  
#239 **Nikon** SMZ800, male thrd, 1"  
long  
#211 **Nissho** or **Bristol**  
#213 **Nova** Stereo

#211 **Olympus** SY4  
#236 **Olympus** SZ, (male/female  
thrd, 103 comparable)  
#206 **Olympus** SZX, SZH  
#208 **Olympus** VM  
#217 **Parco, Meiji** EMZ5  
#206 **Prior**  
#211 **Unitron** ZSB, ZST, FSB  
#213 **Unitron** ZSM  
#206 **Unitron** (Motic)  
#206 **Wild** MSA, M3, M7, M8, MZ8,  
MZAPO  
#206 **Zeiss**

