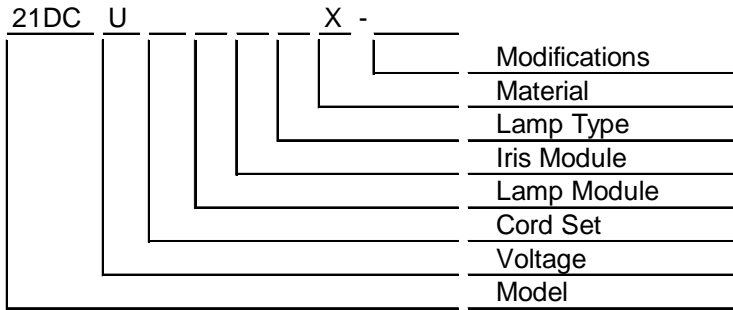


# MODEL 21DC PART NUMBER MATRIX



Model:	21DC	Model 21DC		
Voltage:	U	Universal Voltage (90-264 VAC; 50/60Hz)		
Cord Set:	A	Euro/Shuko	K	North America
	C	Australia	L	Switzerland
	D	United Kingdom	Z	North America
	H	Israel	X	No Cord Set
Lamp Module:	1	1.0" (25.4mm) V-port (nosepiece ID)		
	2	0.625" (15.88mm) V-port (nosepiece ID)		
	3	1.0" (25.4mm) V-port for use w/ IR & color filter		
Iris Module:	0	No Iris control		
	1	Iris Control		
Lamp Type:	0	EKE, 3250K (standard)		
	1	EKE-HC, 4200K (high color temp)		
	2	EJV, 3200K (high output)		
Material:	X	Standard Material Finish		
Modifications:		Optional - to be determined (Contact KSE-Texas)		

