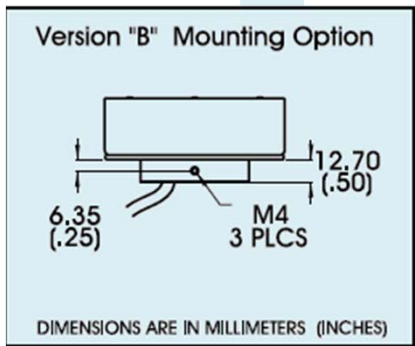


PRODUCT MATRIX FOR:

RL 5064

Product Number	Mounting Option	Spectral Wavelength	Optional Power Compatibility	Alternative Connector
RL5064	B	(UV) 395 [◇] (blue) 470* (green) 520* (yellow) 590 (orange) 625 (red) 660 (infra-red) 880 (white) WHI*	IC ▼ IS ▼ C2 C3 C5 ▼ 12 24	M12** (male)



◇UV LEDs have a considerable shorter half-life than other LEDs (<1000 hrs).

IC = iCS (requires 24v power supply)

IS = iSU (requires 24v power supply)

C2 = Ai Connector

C3 = Pulsar 710 Connector

C5 = Pulsar 320 Connector

** Available w/ IC, IS and 24v options only

* Not available in 12v

▼ Requires a dual cable

RL5064 Specifications

- 64 LEDs
- I.D.: 2.18" (55mm)
- O.D.: 3.93" (100mm)
- F.O.V. 1.75" (44mm)
- Combination Bright/Dark Field Illuminator
- Bright/Dark Field can be used independently

