

SEALED LINEAR

The Sealed Linears have been designed for uses in industrial environments, and are completely sealed to meet NEMA 12 specifications. Two fluorescent lamps provide high frequency (at 25 kHz or 85 kHz) light. All sealed linears come with 5100K deluxe daylight lamps, but also can be fitted with black light blue (UV) lamps, as well as many different colors. The housing consists of an aluminum frame with diffuser window.



These units are low profile being only 2.21 inches (56.1mm) high, and are available in 8" (twin 4 watt), 11" (twin 6 watt), 14" (twin 8 watt), 23" (twin 13 watt) and 40" (twin 26 or 35 watt in the In-Line ballast only) lengths to fit a wide range of configurations. In addition to a Plug in ballasts, the units' ballasts can be changed to In-Line ballasts or an In-Line Sealed Driver/Variable.

To figure out the Part Number of the Sealed Linear [Click here](#).

Features

- Low profile design
- Over 7000 hours of lamp life
- High frequency electronic ballast
- Easy mounting

Specifications

	SLT04	SLT06	SLT08	SLT13
Input Power:	8 watts	12 watts	16 watts	26 watts
Operating Temp:	0°C to 65°C (32°F to 150°F)			
Humidity Range:	0% to 80%; non-condensing			
Ballast Assembly	Plug-In	In-Line	Fixed Intensity	Variable Intensity
Ballast Style:	P	D	S3	S4
Input Voltage:	110 VAC	110 to 220 VAC	110 to 220 VAC	110 to 220 VAC
Input Frequency	60Hz	50/60Hz	50/60Hz	50/60Hz
Operating Frequency	25kHz	25kHz	85kHz	85kHz



The Fixed/Variable Intensity units are NEMA 4, 12 and 13 or IP65 Rated

SEALED REPLACEMENT PARTS

Replacement Bulbs

SLT04	SLT06	SLT08	SLT13	SLT26	SLT35	Bulb Color
13231	13232	13233	13234	--	--	Cool White, 4200K
13271	13272	13273	13274	13270	13275	Deluxe Daylight, 5100K
13254	13256	13258	13260	13250	13252	Black Light Blue (UV), 365nm
13214	13216	13218	13220	--	--	Blue, 450nm
13224	13226	13228	13222	--	--	Green, 544nm
13294	13296	13298	13300	--	--	Red, 658nm
13304	13306	13308	13313	--	--	Yellow, 585nm

Replacement Covers

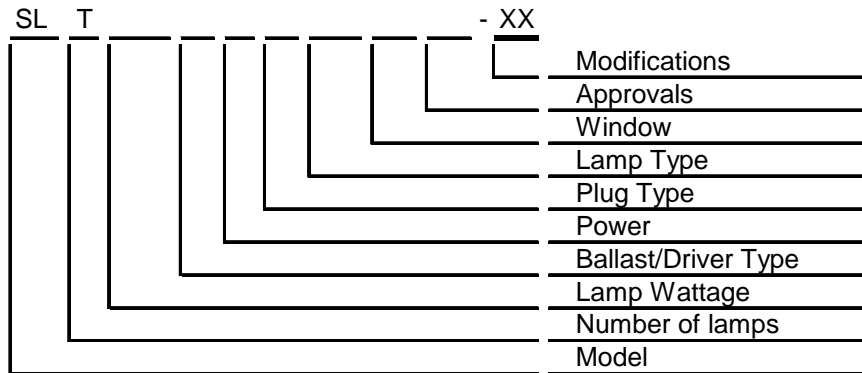
SLT04	SLT06	SLT08	SLT13	SLT26	SLT35	Window Option
11080741	11080761	11080781	11080791	Consult KSE for Part Number		Clear
11080742	11080762	11080782	11080792	Consult KSE for Part Number		Diffuse
11080743	11080763	11080783	11080793	Consult KSE for Part Number		UV & Clear
11080744	11080764	11080784	11080794	Consult KSE for Part Number		50/50 Backlight

Ballast

Part #	Description
12002136	Plug-in, 25kHz, 110 VAC (for all SL Linears)
12002500	In-line, 25kHz, 110 VAC (for all SL Linears)
12002501	In-line, 25kHz, 220 VAC (for all SL Linears)
12008500	85kHz fixed, universal, 90-260 VAC, k-plug
12008501	85kHz variable, universal, 90-260 VAC, k-plug



SEALED LINEAR PART NUMBER MATRIX



Model:	SL	Sealed Linear		
Number of lamps:	T	Twin Lamps (2x T5 lamps)		
Lamp Wattage:	04	4 Watt	06	6 Watt
	08	8 Watt	13	13 Watt
			26	26 Watt
			35	35 Watt
Ballast/Driver:	P	Plug-in, 25kHz (power option 1 only)		
	D	Direct/In-Line, 25kHz (Power 1 or 2 only) (26 & 35 Watt options are supplied w/ an In-Line, dual 25kHz ballast)		
	S	Sealed, in-line, 85kHz (power options 3 & 4 Only) (consult KSE for S option w/ the 26 or 35 watt)		
Plug/Cord Set:	1	110 VAC; 60Hz		
	2	220 VAC; 50Hz		
	3	Universal input, 85kHz w/ fixed intensity (90-264VAC, 50/60Hz)		
	4	Universal input, 85kHz w/ variable intensity (90-264VAC, 50/60Hz)		
Plug/Cord Set:	B	Euro/Shuko	C	Australia
	D	United Kingdom	E	Denmark
	F	France/Belgium	G	India
	H	Israel	I	Italy
	K	North American	L	Switzerland
	S	Special	X	No Plug
Lamp Type:	DD	Deluxe Dayligh, 5100K (std)	GR	Green (544nm)
	CW	Cool White, 4200K	BL	Blue (450nm)
	RD	Red (658nm)	BB	UV (365nm)
	YL	Yellow (585nm)		(BB requires Window option Q)
Window:	C	Clear (high output)	D	Diffuse (std.)
	Q	UV Window (reqd for UV appls, lamp type BB)		
	T	50/50 (Blacklight applications)		
Approvals:	C	CE (all 85kHz & 220VAC-25kHz)		
	X	No CE Mark (all 110VAC units)		
Modifications:		To be Determined		

